

**Warning: 禁止改装滤镜和系统。 Do not modify the Solar filter**

---

### **摄影版大力神-W 太阳棱镜系统 1.25"**

这个大力神太阳棱镜，他是配制在折射望远镜的天顶位置，用于替换天顶观测太阳。不同于前面装全光谱的过滤器的巴德膜，提供真正的太阳黑子，日食观测并达到安全水平。

大力神太阳棱镜系统包含控制光量进光系统，棱镜系统，双镜片过滤系统，冷却系统。热量通过直角棱镜并且被吸收到棱镜和后端翅片散热，较冷的空气通的后部作为散热器。这种对流将保持散热器变得散热更快，保持安全温度。

应用范围：折射望远镜

目镜，主镜接口尺寸：1.25"

滤镜：ND3.0+CPL 滤镜

观测设计：黑白太阳

棱镜大小 35MM prism

保修 1 年

### **Hercules-W SOLAR SYSTEMS 1.25" for camera**

The Hercules Solar system is designed to replace the standard diagonal at the rear end of your Refractor telescope. Unlike front mounted filters the Wedge transmits a safe level of full spectrum light providing true reg light views.

The Hercules Solar system contains control the amount of light into the aperture, dual lenses filter system, the prism system, cooling system . The heat is allowed to pass thru the prism and is directed to the rear end of the prism .The fins act to pull cooler air thru the rear part of the system as the heat sink heats up. This convection will keep the heat sink from getting too hot.

Additional Information Refractor use only

Eyepiece Barrel Size 1.25"

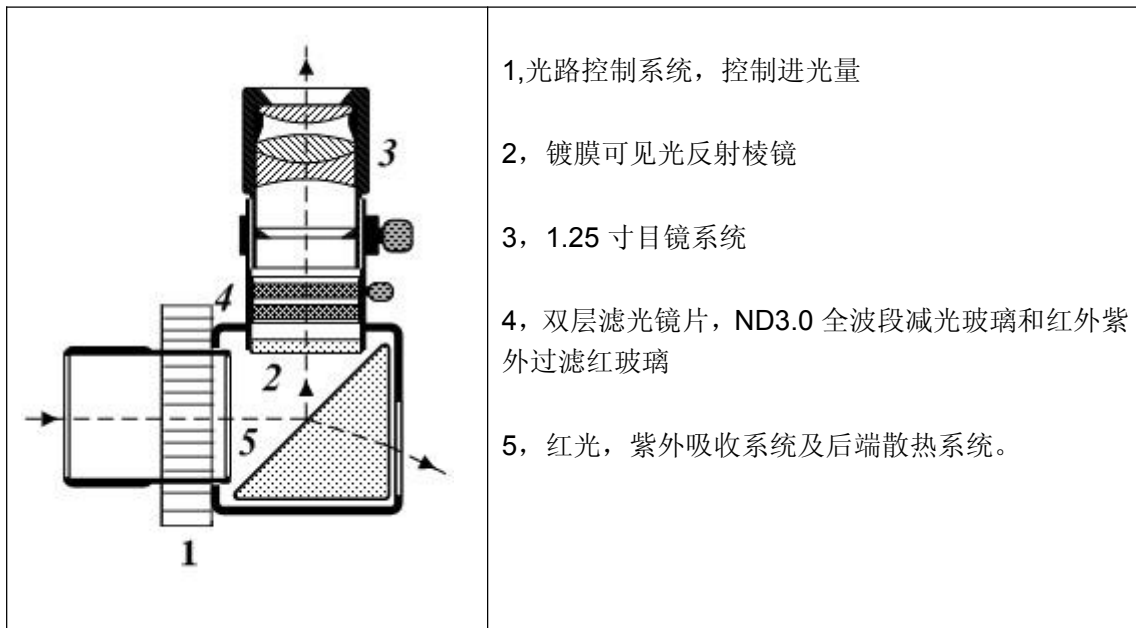
Filter(s) ND3 and CPL filter

Optical Design solar prism

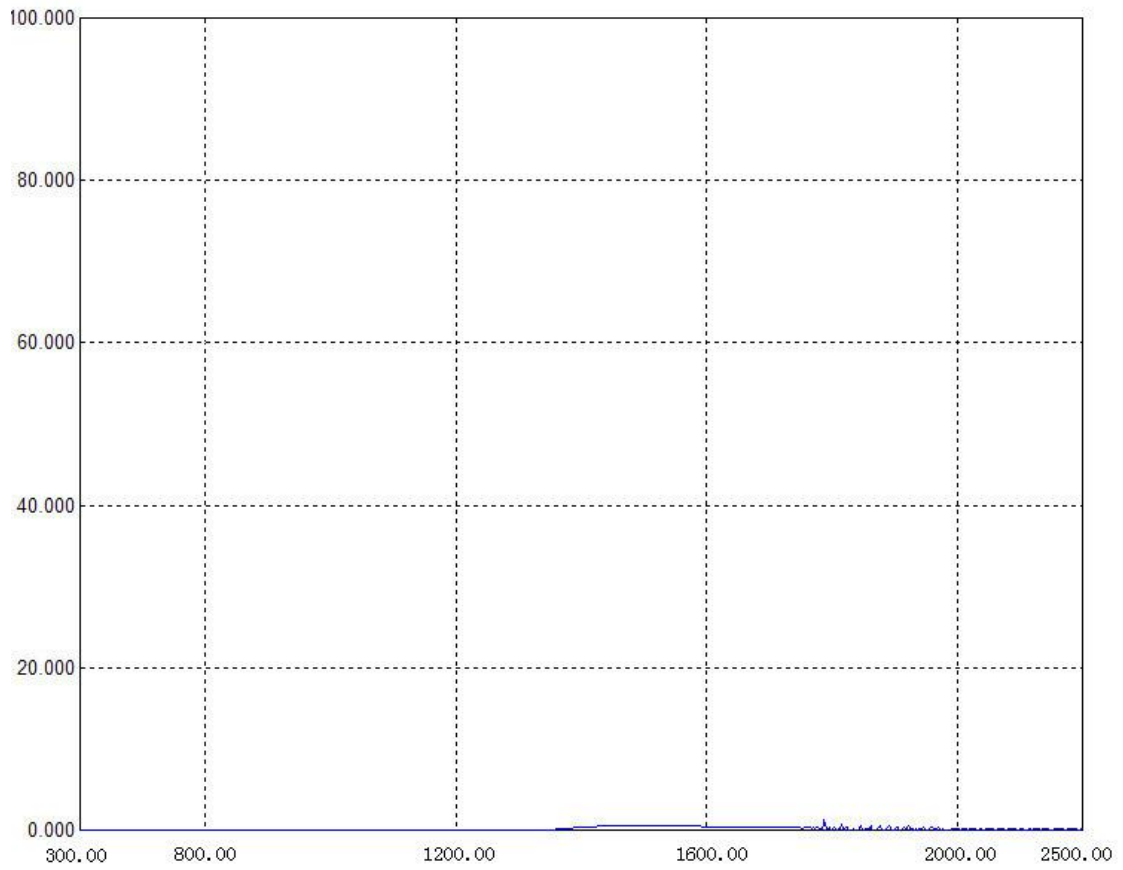
Star Diagonal 35MM prism

Warranty 1 year

# 黑锐 HERCULES



滤镜过滤曲线



# 黑锐 HERCULES

棱镜减光 300-2500 光谱过波曲线，全段通过值都达到国际标准安全值以下。

